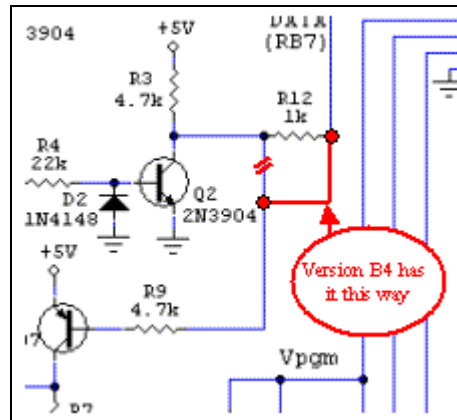
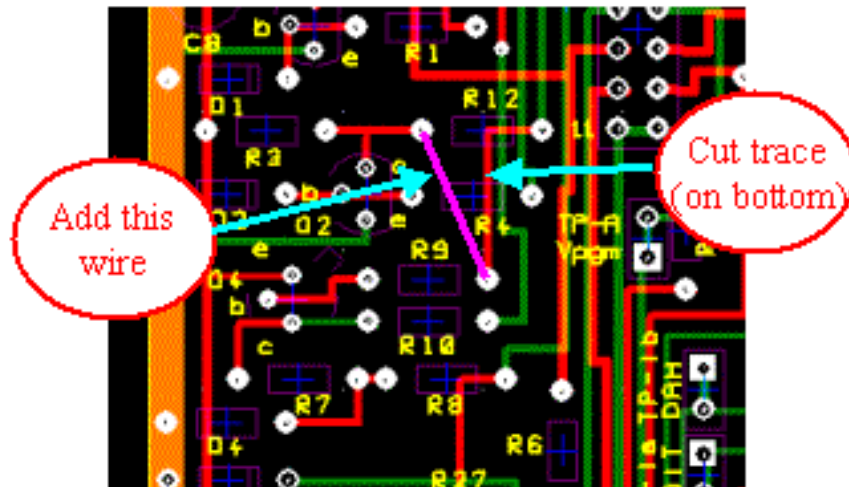


## PIC-EL II Board B4 (4/17/06) Error and Rework Instructions

PIC-EL II Version B4 (4/17/06) has a minor error in a trace connection. The red wire in this diagram shows how it currently is. The wire from R9 to R12 should actually be connected to the Q2 side of R12.



If you want to modify your board to match the schematic you can cut one trace (on the bottom of the board) and add one jumper to fix it.



Does it really matter? I don't think so. Very little current is flowing through these resistors so the voltage across R12 will be very small. It's easy to do so it's up to you.

Craig Johnson  
6/14/2007

